

# DA-682C-UART Series Expansion Modules

UART expansion modules for DA-682C Series computers

## Features and Benefits

- 8-port RS-232/422/485 software-selectable serial modules with isolation protection

## Certifications

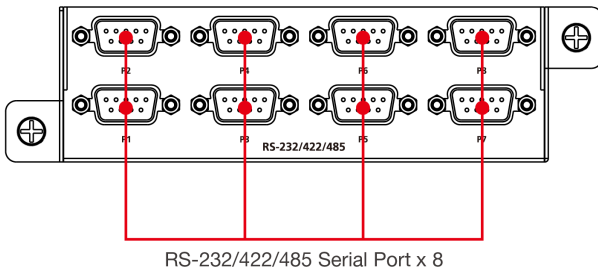


## Introduction

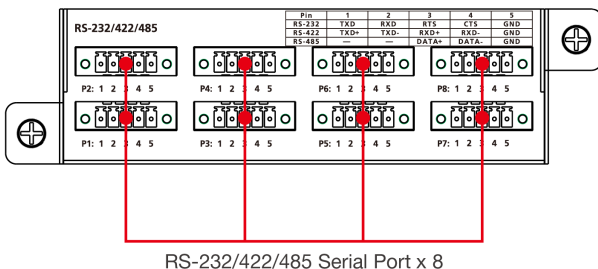
The DA-682C-UART Series expansion modules include two 8-port RS-232/422/485 modules; one with a DB9 connector and the other with a terminal-block connector. The modules are designed with 2-kV digital isolation, making them suitable for the demands of industrial applications that use serial communication

## Appearance

### DN-SP08-I-DB



### DN-SP08-I-TB



## Specifications

### Serial Interface

Baudrate	300 bps to 115.2 kbps
Connector	DN-SP08-I-TB: Terminal block DN-SP08-I-DB: DB9 male

Data Bits	5, 6, 7, 8
Flow Control	ADDC® (automatic data direction control) for RS-485, RTS/CTS, XON/XOFF
Isolation	2 kV
Parity	None, Even, Odd, Space, Mark
Pull High/Low Resistor for RS-485	1 kilo-ohm, 150 kilo-ohms
Serial Standards	RS-232/422/485
Stop Bits	1, 1.5, 2
Surge	2 kV
Terminator for RS-485	120 ohms

#### Serial Signals

RS-422	Tx+, Tx-, Rx+, Rx-, GND
RS-485-2w	Data+, Data-, GND
RS-485-4w	Tx+, Tx-, Rx+, Rx-, GND
RS-232	TxD, RxD, RTS, CTS, GND

#### Physical Characteristics

Dimensions (without ears)	213.31 x 95 mm (8.398 x 3.74 in)
Weight	395 g (0.87 lb)

#### Environmental Limits

Operating Temperature	-40 to 70°C (-40 to 158°F)
-----------------------	----------------------------

#### Declaration

Green Product	RoHS, CRoHS, WEEE
---------------	-------------------

#### MTBF

Time	454,567 hrs
Standards	Telcordia (Bellcore), GB

#### Warranty

Warranty Period	3 years
Details	See <a href="http://www.moxa.com/warranty">www.moxa.com/warranty</a>

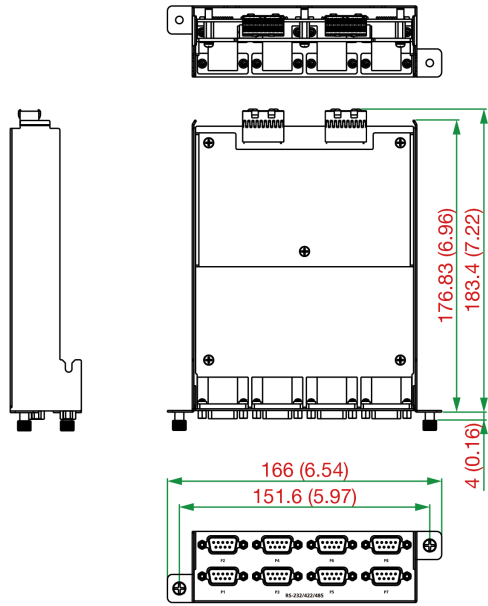
#### Package Contents

Device	1 x DA-682C-UART Series expansion module
Documentation	1 x warranty card

## Dimensions

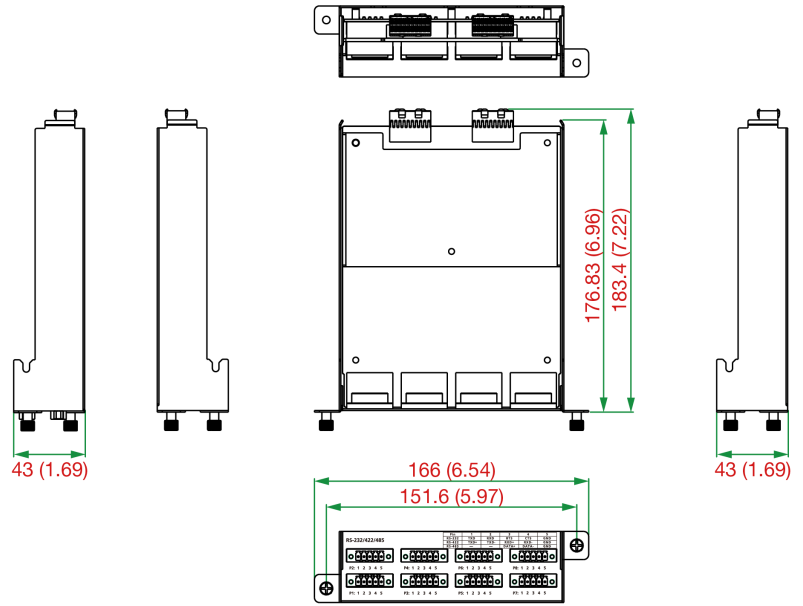
### DN-SP08-I-DB

Unit: mm (inch)



### DN-SP08-I-TB

Unit: mm (inch)



## Ordering Information

Model Name	Processor
DN-SP08-I-TB	8-port software-selectable RS-232/422/485 PCIe serial module with terminal-block connector
DN-SP08-I-DB	8-port software-selectable RS-232/422/485 PCIe serial module with DB9 connector

© Moxa Inc. All rights reserved. Updated Aug 11, 2021.

This document and any portion thereof may not be reproduced or used in any manner whatsoever without the express written permission of Moxa Inc. Product specifications subject to change without notice. Visit our website for the most up-to-date product information.